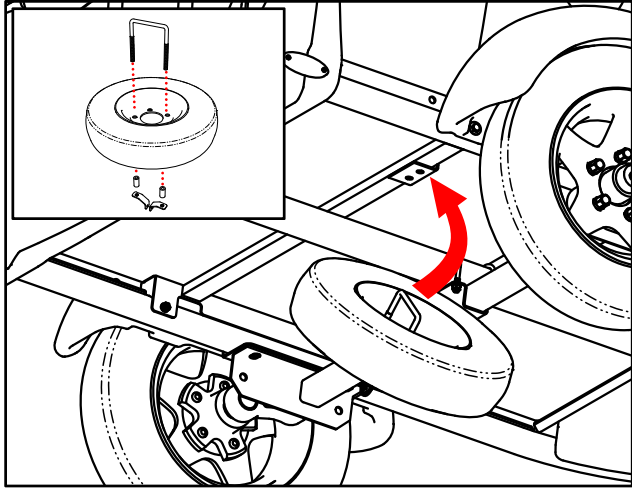


Spare Tire Installation



Install *Spare Tire* by first assembling the *u-bolt* through two holes in the spare. Add the *spacers* and **just** start to screw on the *angled keepers*. Then hook the *u-bolt* onto the bracket beneath the *deck* and continue to tighten the *keepers*. Once snug, insert *safety pin* in *keeper holes*.

Parts:

- 1 – Spare
- 1 – U-bolt
- 2 – Spacers
- 2 – Angled keepers
- 1 – Safety pin

